

Basic set for 4-hole rim mounted bath mixer

Surfaces: n.a. Article Number: **13440180**



Description

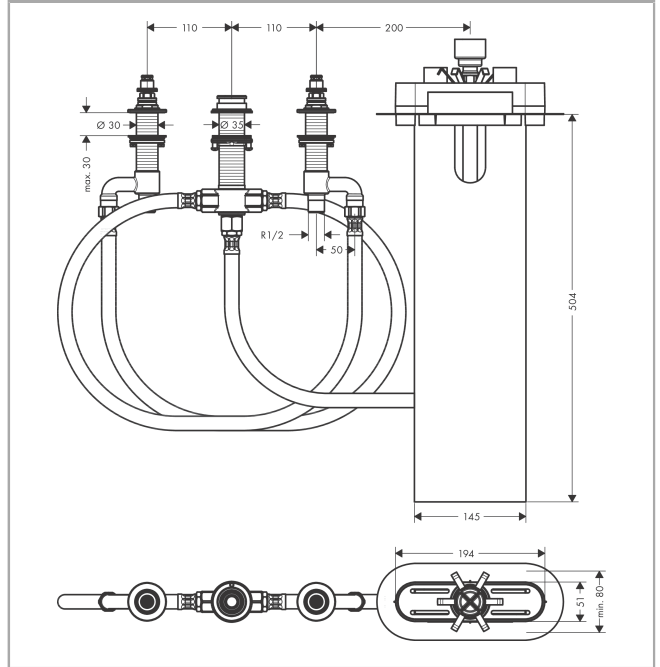
product features

- clamping range: 0 - 30 mm
- connection thread: G 1/2
- connection dimension: DN15
- bath rim width at least 100 mm

Product image



Scale drawing



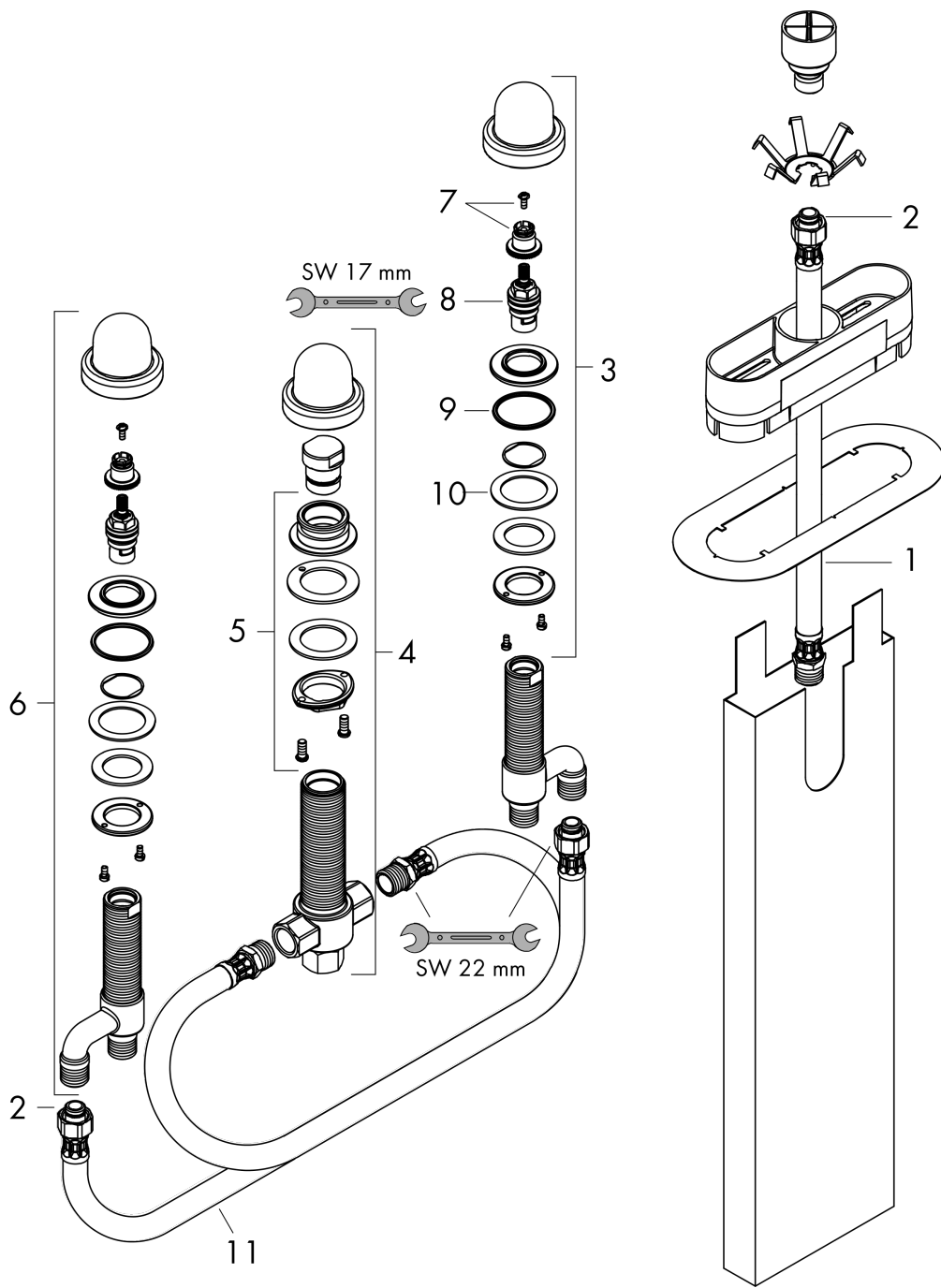
Basic set for 4-hole rim mounted bath mixer

Surfaces: n.a. Article Number: 13440180



Exploded Drawing

Year of production: >06/21



Basic set for 4-hole rim mounted bath mixerSurfaces: n.a. Article Number: **13440180****Spare part list**

Year of production: >06/21

Pos.	Description	Article Number	Price	PU
1	connection hose 800 mm R $\frac{1}{2}$ x G $\frac{1}{2}$	25964000	-	1
2	O-ring 11x2	98127000	-	1
3	fixing set for shut off unit	96078000	-	1
4	selector housing	96125000	-	1
5	fixing set for 4 hole bath mixer spout	96080000	-	1
6	stop valve cpl.	92944000	-	1
7	handle fixing set	94184000	-	1
8	shut off unit right closing	94009000	-	1
9	O-ring 40x3	92634000	-	1
10	lever collar	97548000	-	1
11	pressure hose	96565000	-	1